

INSTALLATION TECHNOLOGY MADE EASY

Pre-assembled branching/terminal boxes for Zone 1 and Zone 21

1 Each user can enjoy the benefits of the **eXLink** with the pre-assembled branching boxes without having to first perform additional wiring work.

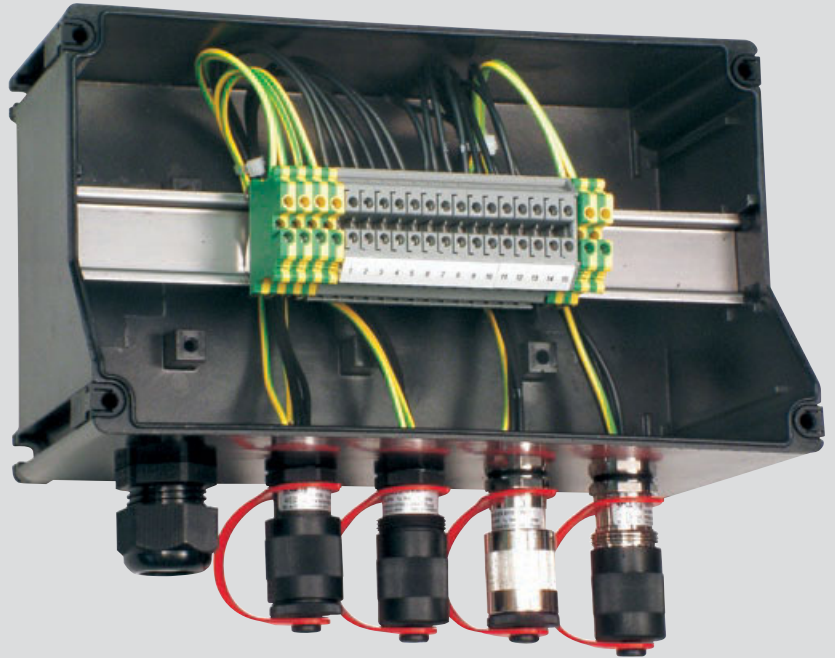
Typical applications such as energy distribution, power supply for modules or bus technology can be performed at a reasonable price. For example, a control unit can be quickly and safely connected to a pre-assembled **eXLink** branching box and disconnected using **eXLink** plugs, leading to cost and time savings during service- and repair work. An additional switch is no longer required.

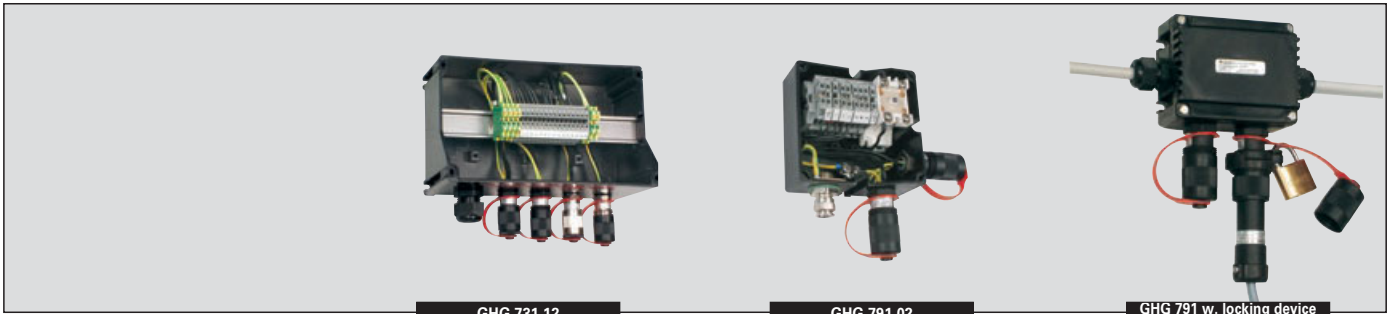
All connectors can be plugged or disconnect during operation ("hot swap").

If terminal boxes are used for distributing bus cables, these can also be plugged during operation „hot swap“ with **eXLink**. No re-boot or shut-down of the system is necessary. This makes diagnosis or re-configuration much easier. There is no need to waste time isolating devices, and possibly having to shut down a machine in the process.

Cables with **eXLink** plugs and coupler can be ordered ready made according your requirements in different lengths and versions. This is a tremendous cost reduction factor for your commissioning of the system. You can plug together all necessary bus lines, power supply systems and monitoring lines without commissioning of cables, terminals and connectors. No additional cost for re-assembling of cables, re-wiring of connections and testing procedures will arise.

- **Hot swap**
- **Customized solutions**
- **Pre-assembled eXLink connectors wired on terminals**
- **for all standard connection types up to 7-pole**
- **Nominal current up to 16 A per connector**
- **Compatible with Ethernet® and Fast Ethernet®-Bus**





1

Technical data

Type 791 01 / Type 791 02

Marking accd. to 94/9/EC	Ⓔ II 2 G Ex dem ia II, IIC T6 Ⓔ II 2 D Ex tD A21 IP66 T80 °C
EC-Type Examination Certificate	PTB 00 ATEX 3108
IECEX Certificate of Conformity	IECEX BK1 07.0034
Marking accd. to IECEx	Ex e II T6 Ex tD A21 IP66 T80 °C
Permissible ambient temperature	-20 °C to +40 °C -55 °C to +40 °C (option)
Rated voltage	690 V / 250 V eXLink
Rated current	limited by terminal arrangement and eXLink
Protection class	I
Degree of protection accd. to EN 60529	IP66
Enclosure material	Polyamide

Type 791 01

Connecting terminals	up to 4 mm ²
Cable glands/enclosure drilling	max. 2 x M25 or 1 x M25 + 2 x M12
Dimensions (L x W x H)	81.5 x 100 x 61 mm
Weight	approx. 0.5 kg

Type 791 02

Connecting terminals	up to 6 mm ²
Cable glands/enclosure drilling	max. 2 x M25 or 1 x M32 + 1 x M25 or 1 x M25 + 4 x M12
Dimensions (L x W x H)	117.5 x 113.5 x 73.5 mm
Weight	approx. 0.7 kg

Type 731 11

Marking accd. to 94/9/EC	Ⓔ II 2 G Ex de ia/ib [ia/ib] m IIC T4 Ⓔ II 2 D Ex tD A21 IP66 T80 °C
EC-Type Examination Certificate	PTB 99 ATEX 1044
Permissible ambient temperature	-20 °C to +40 °C -55 °C to +55 °C (option)
Rated voltage	690 V / 250 V eXLink
Rated current	limited by terminal arrangement and eXLink
Connecting terminals	up to 16 mm ²
Protection class	I
Degree of protection accd. to EN 60529	IP66
Enclosure material	glass-fibre reinforced polyester
Dimensions (L x W x H)	140 x 120 x 95 mm
Weight	approx. 1.2 kg

Explosion protected terminal boxes eXLink

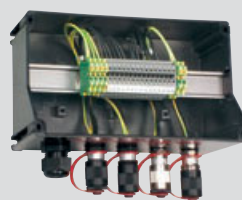


GHG 791 with locking device

Ordering details

Coding	Components	Cable gland	Terminals	Order No.
Ordering details for ready made, prewired terminal boxes GHG 791 01				
230 V AC 10h	2 x flange socket GHG 574 8110 R000x	2 x M20	4 x 2.5 mm ² 1 x PE/PA	GHG 791 0101 R5006
230 V AC 10h	2 x flange socket GHG 574 8110 R300x	2 x M20	4 x 2.5 mm ² 1 x PE/PA	GHG 791 0101 R5106
24 V DC 08h	1 x flange socket GHG 571 8108 R000x	2 x M20 1 x M20 screw plug	4 x 2.5 mm ² 1 x PE/PA	GHG 791 0101 R5201
24 V DC 02h	1 x flange socket GHG 571 8102 R000x	1 x M20	4 x 2.5 mm ² 1 x PE/PA	GHG 791 0101 R5202
230 V AC 10h	1 x flange socket GHG 574 8110 R000x	1 x M25	4 x 2.5 mm ² 1 x PE/PA	GHG 791 0101 R5203
24 V AC 12h	1 x flange socket GHG 571 8212 R000x	1 x M20	2 x 2.5 mm ² 1 x PE/PA	GHG 791 0101 R5204
230 V AC 06h	1 x flange socket GHG 571 8106 R000x	2 x M20 1 x M20 screw plug	4 x 2.5 mm ² 1 x PE/PA	GHG 791 0101 R5206
24 V DC 08h	1 x flange socket GHG 571 8208 R000x	2 x M20 1 x M20 screw plug	4 x 2.5 mm ² 1 x PE/PA	GHG 791 0101 R5208
230 V AC 10h	1 x flange socket lockable GHG 574 8110 R090x	1 x M25	4 x 2.5 mm ² 1 x PE/PA	GHG 791 0101 R5210
24 V AC 12h	1 x flange socket GHG 571 8112 R000x	1 x M20 1 x M20 screw plug	2 x 2.5 mm ² 1 x PE/PA	GHG 791 0101 R5212
24 V DC 08h	1 x flange socket GHG 571 8108 R000x	1 x M20	4 x 2.5 mm ² 1 x PE/PA	GHG 791 0101 R5213
230 V AC 06h	1 x flange socket GHG 571 8106 R000x	1 x M20	2 x 2.5 mm ² 1 x PE/PA	GHG 791 0101 R5214
24 V DC 05h	1 x flange socket GHG 574 8105 R000x	1 x M25	6 x 2.5 mm ² 1 x PE/PA	GHG 791 0101 R5215
230 V AC 06h	1 x flange socket GHG 571 8106 R000x	1 x M20	2 x 2.5 mm ² 1 x PE/PA	GHG 791 0101 R5216
24 V DC 08h	1 x flange socket GHG 571 8208 R000x	1 x M25	4 x 2.5 mm ² 1 x PE/PA	GHG 791 0101 R5217
24 V DC 08h	1 x inlet GHG 571 9108 R300x	2 x M12	4 x 2.5 mm ² 1 x PE/PA	GHG 791 0101 R5218
230V AC 06h	1 x inlet GHG 571 9106 R000x	1 x M20	4 x 2.5 mm ² 1 x PE/PA	GHG 791 0101 R5219
BUS Ex-i 02h	1 x flange socket GHG 571 8102 R300x	1 x M20 Ex-i	4 x 2.5 mm ² 1 x PE/PA	GHG 791 0101 R5220
BUS Ex-i 08	1 x flange socket GHG 571 8108 R300x	1 x M20 Ex-i	4 x 2.5 mm ² 1 x PE/PA	GHG 791 0101 R5221
24V DC 08h	1 x inlet GHG 571 9108 R000x	1 x M20	4 x 2.5 mm ² 1 x PE/PA	GHG 791 0101 R5222
24V DC 05h	1 x inlet GHG 574 9105 R000x	2 x M16	4 x 2.5 mm ² 1 x PE/PA	GHG 791 0101 R5223
BUS Ex-i 08	1 x flange socket GHG 571 8108 R000x	1 x M20 Ex-i	4 x 2.5 mm ² 1 x PE/PA	GHG 791 0101 R5224

Other types on request



GHG 731 12



GHG 791 02

Ordering details

Coding	Components	Cable gland	Terminals	Order No.
Ordering details for ready made, prewired terminal boxes GHG 791 01				
02h / 08h	1 x flange socket GHG 571 8102 R300x 1 x flange socket GHG 571 8108 R300x	2 x M20	8 x 2.5 mm ² 1 x PE/PA	GHG 791 0101 R5226
BUS 02h	1 x flange socket GHG 571 8102 R000x	2 x M20 1 x M20 screw plug	4 x 2.5 mm ² 1 x PE/PA	GHG 791 0101 R5227
BUS Ethernet 01h	1 x flange socket GHG 574 8101 R000x 1 x plug (enclosed) GHG5747101R0001	1 x M12	2 x 2.5 mm ² 1 x PE/PA	GHG 791 0101 R5228

Ordering details for ready made, prewired terminal boxes GHG 791 02				
230 V AC 06h	3 x flange socket GHG 571 8106 R 000x	1 x M25	5 x 2.5 mm ² 2 x PE/PA	GHG 791 0201 R5001
24 V DC 08h	1 x flange socket GHG 571 8108 R000x	1 x M20 Ex-i	12 x 2.5 mm ² 1 x PE/PA	GHG 791 0201 R5002
24 V DC 12h	1 x flange socket GHG 571 8112 R000x			
230 V AC 10h	1 x flange socket GHG 574 8210 R000x	3 x M25	12 x 2.5 mm ² 2 x PE/PA	GHG 791 0201 R5003
230 V AC 10h	1 x flange socket GHG 574 8210 R000x	1 x M25 1 x M25 screw plug	4 x 2.5 mm ² 1 x PE/PA	GHG 791 0201 R5004
230 V AC 06h	2 x flange socket GHG 571 8106 R000x	2 x M20 trumpet shape 2 x M20 screw plug	6 x 2.5 mm ² 2 x PE/PA	GHG 791 0201 R5005
230 V AC 10h	2 x flange socket GHG 574 8110 R300x	2 x M25	8 x 2.5 mm ² 2 x PE/PA	GHG 791 0201 R5006
230 V AC 06h	2 x flange socket GHG 571 8206 R000x	2 x M25	4 x 2.5 mm ² 2 x PE/PA	GHG 791 0201 R5007
24 V DC 08h	1 x flange socket GHG 572 8108 R300x	2 x M16	12 x 2.5 mm ² 2 x PE/PA	GHG 791 0201 R5008
24V AC 12h	1 x flange socket GHG 571 8112 R000x 1 x flange socket GHG 572 8112 R000x	1 x M20 1 x M25	8 x 2.5 mm ² 1 x PE/PA	GHG 791 0201 R5009
24V DC 08h	1 x flange socket GHG 571 8108 R000x	1 x M16 Ex-i 1 x M16 screw plug 1 x M20 Ex-i	6 x 2.5 mm ² 1 x PE/PA	GHG 791 0201 R5011

Ordering details for ready made, prewired terminal boxes GHG 731 12				
24 V DC 8h	3 x flange socket GHG 571 8108 R000x	1 x M25 Ex-i	12 x 2.5 mm ²	GHG 731 1201 R5001
230 V AC 6h	1 x inlet GHG 574 9103 R000x	2 x M20	8 x 2.5 mm ² 2 x PE/PA	GHG 731 1201 R5002
230 V AC 10h	1 x inlet GHG 574 9110 R000x			

Other types and sizes on request

| Ex-geschützter Steckverbinder eXLink |

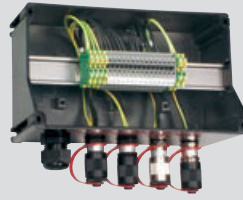
1



GHG 791 w. locking device

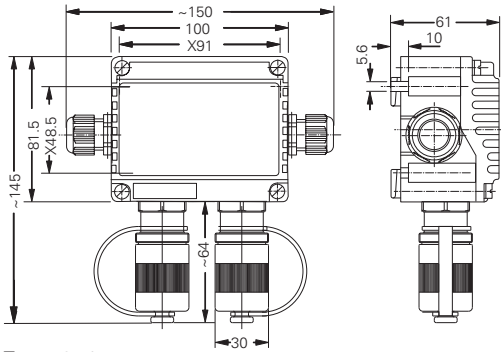


GHG 791 02

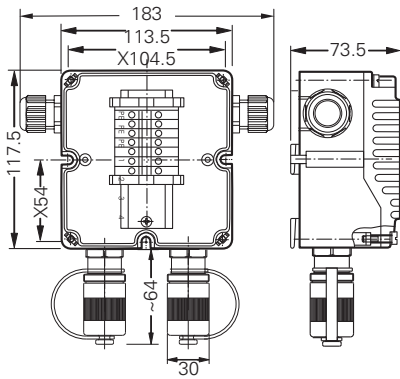


GHG 731 12

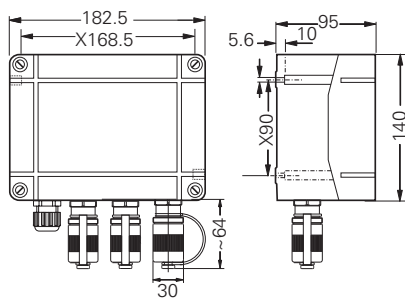
Dimension drawing eXLink



Type 791 01



Type 791 02



Type 731 12

X = fixing dimensions

Dimensions in mm