

## Technical specifications

IP68

IP64



Suitable for the following cable types



**Non-armoured cable**

Cable with insulated conductors, with no metallic layer of mechanical protection.



**Certifications**

EN 62444

**Continuous operating temperature**

-20 °C to +100 °C

**Colour**

Grey RAL 7035

**Material**

Polyamide

**Protection**

IP68 with washer

IP64 without washer

**ISO (metric) threadforms**

EN 60423 and EN 62444

**Pg electrical threadforms**

UTE C 68-311 – DIN 40430

**UL Certified**

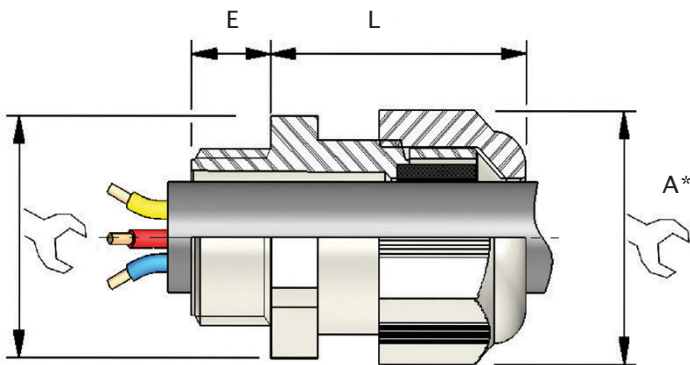
QCRV2.E519397

QCRV8.E519397

Perfectly adapted to industrial environments

- The UNICAP cable gland seals the outer sheath of non-armoured cables
- Thermoplastic sealing ring
- Maximum temperature: +150 °C
- IP68: 5 bars without sealing washer provided that the bearing area is satisfactory

## Dimensions



\* For 'across corners' dimensions, multiply 'across flats' dimensions by 1.1

The Capri UNICAP is a versatile plastic cable gland for use in various industrial and residential applications with non-armoured round cables.

It features an extended operating temperature range compared to simple plastic glands in the range of -20°C to +100°C and is rated to IP68 (with washer) for ultimate protection from dust and water.

Available in ISO and Pg threads and conforming to EN 62444 this gland is available as stand-alone or kitted with relevant accessories.

Thread Size (ISO)	Thread Size (Pg)	Cable Diameter Min - Max	A	L ISO / Pg	E ISO / Pg	Order Unit	Catalog number (ISO)	Order Unit	Catalog number (Pg)
M12	Pg7	3.0 - 6.5	15	14	8	20	CAP451202	20	CAP450702
-	Pg9	4.0 - 8.0	19	28	8	20	-	20	CAP450902
M16	Pg11	5.0 - 10.0	22	28 / 29	10 / 8	20	CAP451602	20	CAP451102
M20	Pg13	6.0 - 12.0	24	29	10 / 9	20	CAP452002	20	CAP451302
-	Pg16	10.0 - 14.0	27	33	9	20	-	20	CAP451702
M25	Pg21	12.0 - 18.0	33	38	10 / 11	20	CAP452502	20	CAP452102
M32	Pg29	18.0 - 25.0	42	41	10 / 11	10	CAP453202	10	CAP452902
M40	Pg36	22.0 - 32.0	53	52	10 / 13	1	CAP454002	10	CAP453602
M50	Pg42	30.0 - 38.0	60	54	18 / 13	1	CAP455002	1	CAP454202
M63	Pg48 DIN	34.0 - 44.0	65	55	18 / 14	1	CAP456302	1	CAP454802

Thread Size (ISO)	Thread Size (Pg)	Cable Diameter Min - Max	A	L ISO / Pg	E ISO / Pg	Order Unit	Supplied with fitted locknut		Supplied with non fitted locknut		
							Catalog number (ISO)	Catalog number (Pg)	Order Unit	Catalog number (ISO)	Catalog number (Pg)
M12	Pg7	3.0 - 6.5	15	14	8	20	CAP451212	CAP450712	20	CAP451272	CAP450772
-	Pg9	4.0 - 8.0	19	28	8	20	-	CAP450912	20	-	CAP450972
M16	Pg11	5.0 - 10.0	22	28 / 29	10 / 8	20	CAP451612	CAP451112	20	CAP451672	CAP451172
M20	Pg13	6.0 - 12.0	24	29	10 / 9	20	CAP452012	CAP451312	20	CAP452072	CAP451372
-	Pg16	10.0 - 14.0	27	33	9	20	-	CAP451712	20	-	CAP451772
M25	Pg21	12.0 - 18.0	33	38	10 / 11	20	CAP452512	CAP452112	20	CAP452572	CAP452172
M32	Pg29	18.0 - 25.0	42	41	10 / 11	10	CAP453212	CAP452912	10	CAP453272	CAP452972
M40	Pg36	22.0 - 32.0	53	52	10 / 13	1	CAP454012	CAP453612	10	CAP454072	CAP453672
M50	Pg42	30.0 - 38.0	60	54	18 / 13	1	CAP455012	CAP454212	1	CAP455072	CAP454272
M63	Pg48 DIN	34.0 - 44.0	65	55	18 / 14	1	CAP456312	CAP454812	1	CAP456372	CAP454872