



cable reel size 1

Technical data

	Cable reel
Marking accd. to 2014/34/EU	II 2G Ex db eb IIC T6 Gb
EC-Type Examination Certificate	PTB 16 ATEX 3002
Permissible ambient temperature	-20 °C up to +40 °C ¹⁾
Rated voltage	max 690 Volt
Rated current	max. 32 A
Frequency	50/60 Hz
External back up fuse	without thermal protection: 16 A with thermal protection: 25 A gG (rated current 16 A set to)
Rated making / Rated breaking capacity AC-3 accd. EN 60947-3	U_g 690 V / I_g 16 A or I_g 32 A
Connecting terminals	max. 6 mm ²
Degree of protection accd. to EN 60529	IP66
Enclosure material	EPDM with stainless steel terminal compartment

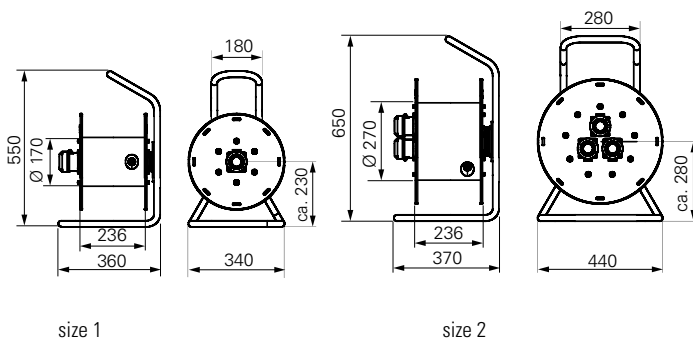
¹⁾ extended temperature range on request

Ordering details

Type	Input	Output	Version	Size	Order No.
Connecting cable 20 m, 3 x 2,5 mm ²	1 x plug 16 A 6h 3-pole	1 x flange socket 16 A, 6h	3-pole	size 1	GHG 931 0003 R0037
Connecting cable 20 m, 5 x 2,5 mm ²	1 x plug 16 A 6h 5-pole	1 x flange socket 16 A, 6h	5-pole	size 1	GHG 931 0003 R0038
Connecting cable 20 m, 3 x 2,5 mm ²	1 x plug 16 A 6h 5-pole	2 x flange socket 16 A, 6h	3-pole	size 2	GHG 931 0003 R0039
Connecting cable 20 m, 3 x 2,5 mm ²	1 x plug 16 A 6h 5-pole	2 x flange socket 16 A, 6h	3-pole + 5-pole	size 2	GHG 931 0003 R0040
Connecting cable 20 m, 5 x 2,5 mm ²	1 x plug 16 A 6h 5-pole	2 x flange socket 16 A, 6h	5-pole	size 2	GHG 931 0003 R0041
Connecting cable 20 m, 3 x 2,5 mm ²	1 x plug 16 A 6h 3-pole	3 x flange socket 16 A, 6h	3-pole	size 2	GHG 931 0003 R0042
Connecting cable 20 m, 5 x 4 mm ²	1 x plug 32 A 6h 5-pole	1 x flange socket 32 A, 6h	5-pole	size 2	GHG 931 0003 R0043

Other version on request

Dimension drawing



Dimensions in mm