

# Serrated washers - GC

## Technical specification

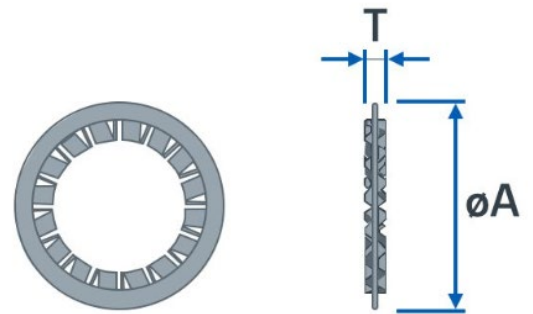
Raxton serrated (shakeproof) washers are available in stainless steel and prevent the risk of attachments becoming loose when used in conjunction with a locknut.



Type GC

## Product coding

ISO Thread	Diam. A	T	Stainless steel 316L Catalogue number
M16	14.3	1.6	GCE0011
M20	32.0	1.6	GCE0012
M25	38.0	1.6	GCE0013
M32	49.0	1.6	GCE0014
M40	58.0	1.6	GCE0015
M50	70.0	1.6	GCE0016
M63	86.0	1.6	GCE0017
M75	100.0	1.6	GCE0018
M80	120.0	4.5	GCE0080
M90	125.0	4.5	GCE0081
M100	140.0	4.5	GCE0082
M110	150.0	1.6	GCE0083



NPT Thread	Diam. A	T	Stainless steel 316L Catalogue number
½" NPT	38.0	1.6	GCE0042
¾" NPT	41.0	1.6	GCE0043
1" NPT	49.0	1.6	GCE0044
1 ¼" NPT	58.0	1.6	GCE0045
1 ½" NPT	70.0	1.6	GCE0046
2" NPT	86.0	1.6	GCE0047
2 ½" NPT	100.0	1.6	GCE0048
3" NPT	125.0	4.5	GCE0049
3 ½" NPT	140.0	4.5	GCE0086
4" NPT	155.0	4.5	GCE0087

Note : for PG options please contact us.