

ADE-1F2 A - for non-armoured cable

Hazardous area cable glands



Suitable for the following cable types:

- Non-armoured cable
- Marine shipboard cable; Type P cable
- Tray cable: TC

Integral clamping module provides 100% of cable clamping.

Certifications and compliances

• ATEX No. INERIS 12ATEX0032X

Zones 1 and 2, Groups I, IIA, IIB and IIC
Zones 21 and 22, Groups IIIA, IIIB and IIIC

⊕ II2GD / Ex db IIC / Ex eb IIC / Ex tb IIIC

⊕ II3G Ex nRc IIC

⊕ IM2 / Ex db I / Ex eb I ; for mining applications

Brass or bronze size 8 to 17; NPT 1" to 4", ISO 32 to 110

Stainless steel size 4 to 17; NPT 3/8" to 4", ISO 16 to 110

• IECEx No. IECEx INE 12.0025X

Zones 1 and 2, Groups I, IIA, IIB and IIC
Zones 21 and 22, Groups IIIA, IIIB and IIIC

Ex db IIC / Ex eb IIC / Ex nRc IIC / Ex tb IIIC

Ex db I / Ex eb I ; for mining applications

Brass or bronze size 8 to 17; NPT 1" to 4", ISO 32 to 110

Stainless steel size 8 to 17; NPT 1" to 4", ISO 32 to 110

• UL: 3DJN E310130 Class I Zone 1*, AEx e II

⊕ ADE size 3 to 8, NPT 1/2" to 1 1/4" or ISO 20 to 40 with non-armoured cable
TC-ER-HL up to 1" diameter

• UL: 3DJN E310130 Class I Zone 2*, AEx e II, Ex e II

⊕ ADE size 3 to 17, NPT 1/2" to 4" or ISO 20 to 110 with non-armoured cable
ITC, MV, PLTC, TC-ER, TC-ER-HL, TC

• UL: 3LRC E314047 Class I Zone 2*, AEx e II, Ex e II

⊕ ADE size 3 to 17, NPT 1/2" to 4" or ISO 20 to 110 with non-armoured marine cable

*Can be used in Div.2 provided that the enclosure contains no components that produce arcs or sparks.



Other certificates:

CEPEL 05.0558X

CCoE P360379-1

KOSHA 2015-BO-0249 to 0256

NANIO TC-RU C-FR.ГБ05.В.00858

NEPSI GYJ13.1082X

Shipping applications:

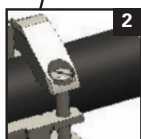
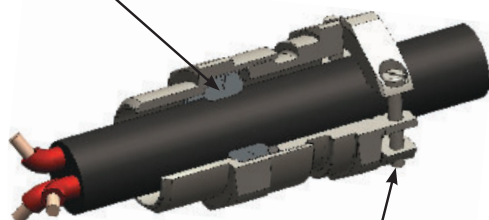
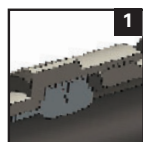
ABS 14-HS1274083-PDA

BV 40910/A0 BV

DNV TAE000010X

Lloyds 11/00072

DTS-01:1991



Technical specification

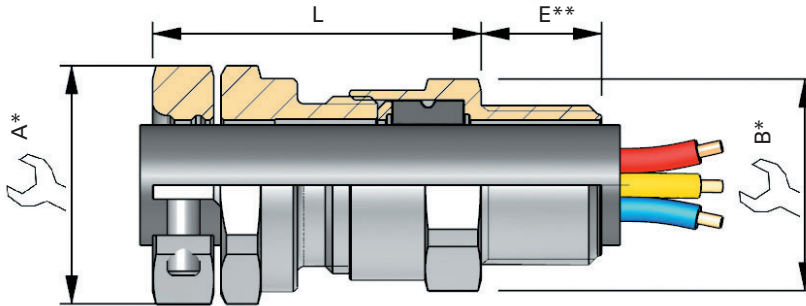
- Nickel-plated brass for superior corrosion resistance. 316L stainless steel, bronze and aluminum options available. It is recommended that a suitable lubricant is used on all threads of stainless steel and aluminum versions.
- Temperature range: -60 °C to +140 °C
- IP66 / IP68 according to the method of attachment and the condition of the equipment area, see page 2.5

Features and benefits

- 1: Specifically formulated elastomer for IP sealing on outer sheath of cable.
- 2: Integrated external cable clamping for strain relief.

ADE-1F2 A - for non-armoured cable

Hazardous area cable glands



* For 'across corners' dimensions, multiply 'across flats' dimensions by 1.1

**For 'E' see thread dimension page 5.18

| SERIES | THREAD SIZE | CABLE SEALING RANGE | MATERIAL | OPTION |
|--------|-------------|---------------------|----------|--------|
| ADE1A | M25 | 3 | NPN | |

- 0 = XS
- 1 = S
- 2 = M
- 3 = L

| CODES | |
|-------|-------------------|
| K1 | Accessories kit 1 |
| K2 | Accessories kit 2 |
| K3 | Accessories kit 3 |
| BLANK | No option |

| | |
|-----|------------------------|
| NPN | Nickel-plated brass |
| SSN | Stainless steel |
| BZN | Bronze |
| ALN | Aluminum (not Group I) |

| KIT OPTIONS | |
|-------------|--|
| K1 | Kit 1 contents: |
| | <ul style="list-style-type: none"> • Locknut • Green composite washer |
| | Kit 2 contents: |
| K2 | <ul style="list-style-type: none"> • Locknut • Green composite washer • Earth tag • Shroud |
| | Kit 3 contents: |
| | K3 |

Ordering codes

| SERIES | THREAD SIZE (ISO) | THREAD SIZE CODE (ISO) | THREAD SIZE (NPT) | THREAD SIZE CODE (NPT) | CABLE SEALING RANGE | CABLE SEALING RANGE ISO (NPT) | | A | B | L | ADE GLAND SIZE | CATALOG NUMBER (ISO) | CATALOG NUMBER (NPT) |
|--------|-------------------|------------------------|-------------------|------------------------|---------------------|-------------------------------|--|----|----|------|----------------|----------------------|----------------------|
| | | | | | | OUTER SHEATH MIN - MAX | | | | | | | |
| ADE1A | 16* | M16 | - | - | 2 | 4.5 - 8.5 | | 20 | 19 | 32.0 | 4 | ADE1AM162NPN | - |
| ADE1A | 16* | M16 | - | - | 3 | 7.0 - 12.0 | | 24 | 19 | 35.0 | 5 | ADE1AM163NPN | - |
| ADE1A | 20 | M20 | 1/2" | N050 | 0 | 2.8 - 5.5 | | 15 | 24 | 28.0 | 3 | ADE1AM200NPN | ADE1AN0500NPN |
| ADE1A | 20 | M20 | 1/2" | N050 | 1 | 4.5 - 8.5 | | 20 | 24 | 32.0 | 4 | ADE1AM201NPN | ADE1AN0501NPN |
| ADE1A | 20 | M20 | 1/2" | N050 | 2 | 7.0 - 12.0 | | 24 | 24 | 35.0 | 5 | ADE1AM202NPN | ADE1AN0502NPN |
| ADE1A | 20 | M20 | 1/2" | N050 | 3 | 10.0 - (16.0) 15.5 | | 27 | 24 | 40.0 | 6 | ADE1AM203NPN | ADE1AN0503NPN |
| ADE1A | 25 | M25 | 3/4" | N075 | 1 | 7.0 - 12.0 | | 24 | 30 | 40.0 | 5 | ADE1AM251NPN | ADE1AN0751NPN |
| ADE1A | 25 | M25 | 3/4" | N075 | 2 | 10.0 - 16.0 | | 27 | 30 | 40.0 | 6 | ADE1AM252NPN | ADE1AN0752NPN |
| ADE1A | 25 | M25 | 3/4" | N075 | 3 | 13.5 - 20.5 | | 32 | 30 | 45.0 | 7 | ADE1AM253NPN | ADE1AN0753NPN |
| ADE1A | 32 | M32 | 1" | N100 | 3 | 18.0 - 27.5 (26.0) | | 41 | 41 | 55.0 | 8 | ADE1AM323NPN | ADE1AN1003NPN |
| ADE1A | 40 | M40 | - | - | 3 | 23.0 - 34.0 | | 48 | 48 | 59.0 | 9 | ADE1AM403NPN | - |

* Not UL certified. Above catalog numbers are for nickel-plated brass; refer to order code diagram for other options.