

# Pauluhn Summit LED luminaires

Cl. I, Div. 2, Groups A, B, C, D  
Cl. II, Div. 1, Groups F, G

UL Listed  
CSA Certified  
Type 4X; IP66

2L

2L

Pauluhn™ Summit linear LED luminaires are designed to replace fluorescent T12, T8 and T5HO luminaires in hazardous rated hose down, food processing and corrosive environments. Three models of the Summit are available, from 13,000 to 25,000 lumens.

Model	Typical lumens (Type V) <sup>A</sup>	Watts	Lumens per watt	Equivalent fluorescent luminaire <sup>A</sup>
SUM13L	13,000	122	106	3-lamp T5HO
SUM17L	17,000	144	118	4-lamp T5HO
SUM25L	25,000	217	115	6-lamp T5HO

## Applications:

- Harsh and hazardous areas
- Food and beverage processing facilities
- Pharmaceutical processing facilities
- High pressure wash down and corrosive environments
- Agriculture storage and processing
- Power generation

## Features:

- High efficacy – 100+ LPW
- Angled light fixture for debris shedding
- Surface mount, cable mount and threaded rod mount
- Replaces up to 4 foot 6-lamp T5HO
- Operating temperature: -40°C to +55°C<sup>B</sup>
- 1,500 PSI hose down tested
- Minimum 60,000 hour LED and driver life at 40°C ambient
- Through feed design for multiple fixture wiring
- 5000K, 80 CRI
- 5 year fixture warranty

## Certifications and compliances:

- Class I, Division 2, Groups A, B, C, D
- Class II, Division 1, Groups F, G
- CSA 22.2 No. 137
- Type 4X, IP66
- UL standards: UL1598, UL8750, UL844
- NSF Splash Zone

## Standard materials:

- Housing – Type 6061 aluminum
- Lens – polycarbonate; diffused polycarbonate (optional)

## Standard finish:

- Paint – epoxy powder coat

## Mounting options (ordered separately):

- Surface/swivel mount
- Cable/chain mount

<sup>A</sup>All T5HO lamps used in comparison are 4 ft. length.

<sup>B</sup>SUM25L model is 50°C maximum ambient operating temperature.



## Electrical ratings:

	SUM13L	SUM17L	SUM25L
Voltage range, VAC	120-277 VAC; 347-480 VAC		
Frequency	50/60 Hz		
Input power (watts)	122	144	217
Input amps at 120-277 VAC	0.26 - 1.03	0.31 - 1.20	0.46 - 1.78
Voltage range, VDC	127-250 VDC (UNV1 model only)		
Power factor	>0.90		
Total harmonic distortion (THD)	<20%		
Nominal lumens	13,790	16,680	24,679

## Drivers:

Option	SUM13L-SUM25L
/UNV1	120-277 VAC, 50/60 Hz; 127-250 VDC, 50/60 Hz
/UNV34	347-480 VAC, 50/60 Hz

## Temperature performance data:

Model	40°C	55°C
Class I, Division 2	T4A	T4A
Class II, Division 1	T6	T6

## Weights:

Model	Lbs.	Kg.
SUM13L	23.41	10.61
SUM17L	23.41	10.61
SUM25L	31.28	14.19

## Photometrics:

- Refer to [www.eaton.com](http://www.eaton.com) (under the Resources tab of each product family) for specific photometric IES files

# Pauluhn Summit LED luminaires

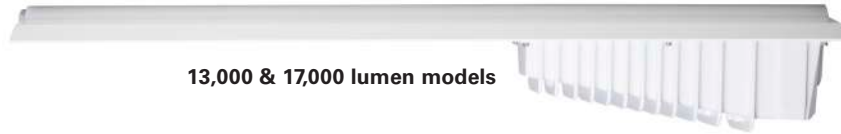
Cl. I, Div. 2, Groups A, B, C, D  
Cl. II, Div. 1, Groups F, G

UL Listed  
CSA Certified  
Type 4X; IP66

2L

2L

**Rugged high bay solutions.** Pauluhn Summit LED luminaires are engineered to provide maintenance-free performance, while delivering long life and high lumen output for applications in hazardous rated areas.



#### Innovative design for demanding applications:

- Angled light fixture mitigates debris build-up
- Robust design withstands high pressure wash down, and food rated paint maintains safety

#### Improved performance and reduced costs:

- 100+ lumens per watt provides highly efficient lighting
- Rated life is up to 60,000 hours of maintenance-free and safe operation

#### Easily customized for application-specific performance:

- Versatile mounting options with a through feed design for simplified multiple fixture wiring
- Dimmable and occupancy sensor configurations available to reduce energy consumption



## Ordering information:

Part number example  
**SUM13L/UNV1 S903**

# SUM

### Series

**SUM** Pauluhn Summit for hazardous rated food processing locations

# 13L

### Lumens

<b>13L</b>	13,000 lumens
<b>17L</b>	17,000 lumens
<b>25L</b>	25,000 lumens

# /UNV1

### Voltage at 50/60 Hz

<b>/UNV1</b>	100-277 VAC; 127-250 VDC
<b>/UNV34</b>	347-480 VAC

# S903

### Options

<b>S903</b>	Polycarbonate lens
<b>S903D</b>	Diffused polycarbonate lens

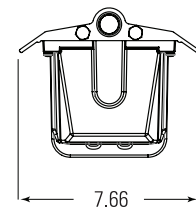
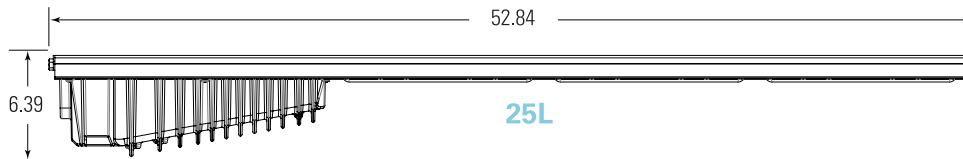
## Accessories (ordered separately):

### Description

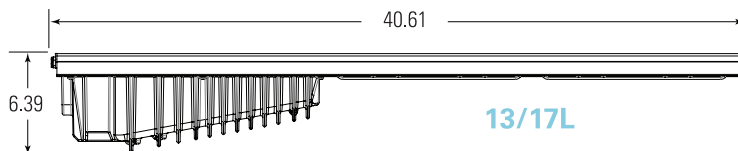
### Cat. #

- Jack chain/aircraft cable bracket..... **APX1093MTK**
- Adjustable ceiling mount bracket..... **APX1097MTK**

## Dimensions (in inches):



**13L - 25L**



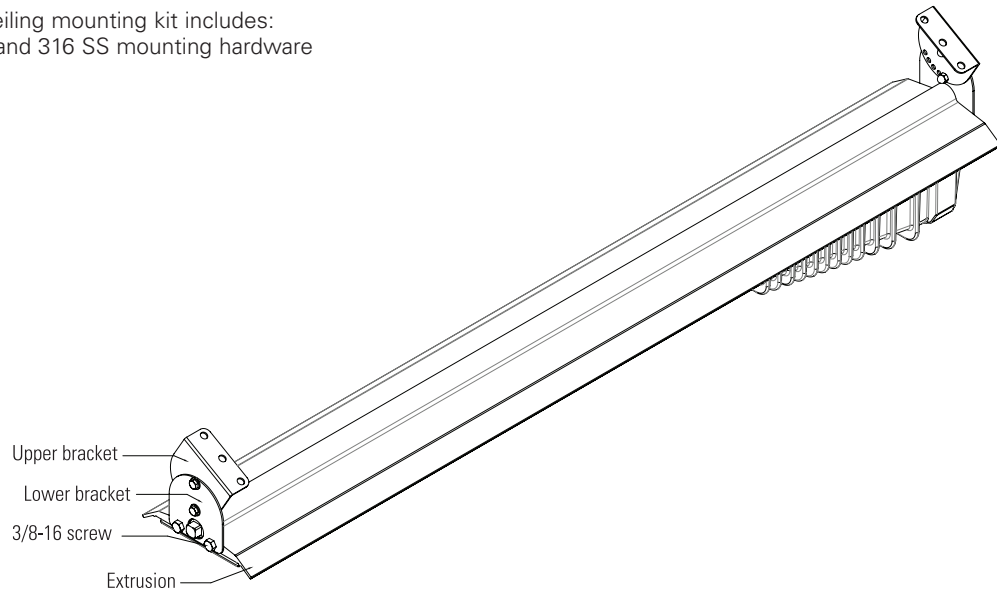
## Mounting options:

### Adjustable ceiling mount

#### APX1097MTK

Standard adjustable ceiling mounting kit includes:

- (2) 304 SS brackets and 316 SS mounting hardware



### Chain mount

#### APX1093MTK

Standard jack chain/aircraft cable mounting kit includes:

- (2) 304 SS brackets and 316 SS mounting hardware

