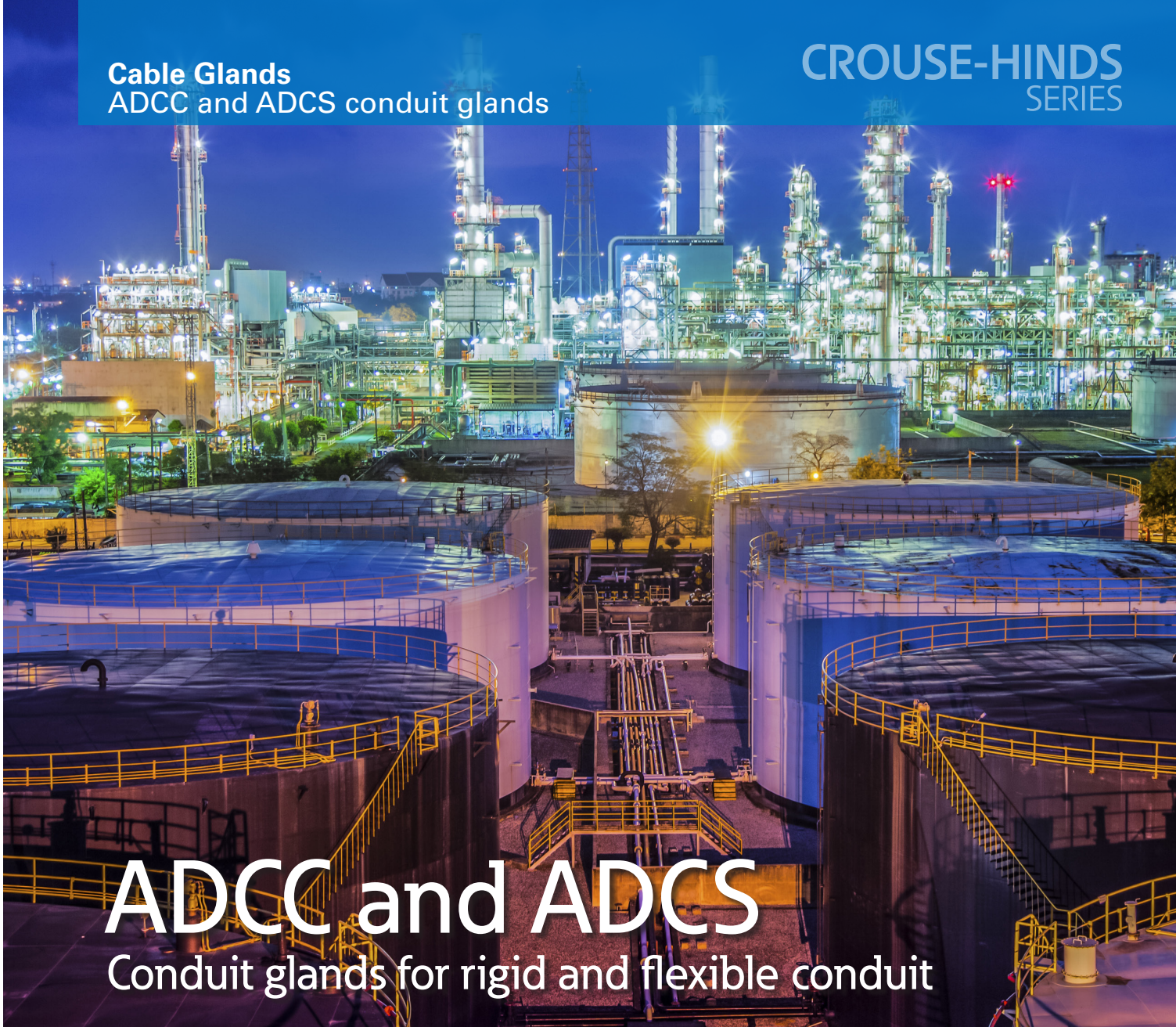


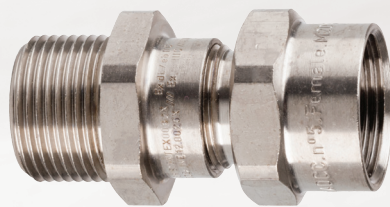
Cable Glands
ADCC and ADCS conduit glands

CROUSE-HINDS
SERIES



ADCC and ADCS

Conduit glands for rigid and flexible conduit





Global cable glands solutions

Maximum safety.

Eaton's Crouse-Hinds Division provides a termination solution for virtually every cable type used in hazardous and industrial environments – both onshore and offshore and above and below ground.

From the deserts of Africa to the icy waters of the North Sea, the world turns to Eaton's Crouse-Hinds Division for its complete range of cable installation products. Our cable glands, thread conversion products and cable installation accessories are used in industrial and commercial applications throughout the world, enhancing safety and productivity in the most severe environmental conditions.

Eaton's Crouse-Hinds series cable glands are the easiest and safest solution for your installation and maintenance needs. In any electrical or instrumentation installation, our glands are the reliable and safe way to move power and signals.

ADCC and ADCS conduit glands for rigid and flexible conduit

Applications:

ADE conduit glands enable direct connection to rigid or flexible conduit while allowing cable to pass through the gland. This allows the cable to have extra protection, especially in extreme environments. They are available in nickel-plated brass or stainless steel to give increased corrosion resistance.

Key features & benefits:

- Nickel-plated brass for superior corrosion resistance. 316L stainless steel option available. It is recommended that a suitable lubricant is used on all threads of stainless steel versions.
- Best solution for extreme temperatures: -60°C to +140°C
- Maintains Ex-d and Ex-e protection
- Removable silicone dust cover protects from ingress before cable assembly
- Full coverage of all sizes M20 to M110 and 1/2" - 4" NPT
- Multiple female thread options (ISO, NPT, BSPP), enabling interface to different conduit sizes
- ADCC has a compact design with 20% weight saving compared to competitors
- IP66 / IP68 according to the method of attachment and the condition of the equipment area



ADCC
For use with non-armoured cable in rigid conduit systems which can be turned and also for use with flexible conduit

ADCC additional features and benefits:

1. Specifically formulated flameproof elastomer for IP sealing on outer sheath of cable
2. Female thread for flexible or rigid conduit - multiple female thread options available

Cable types:

- Suitable for all types of non-armoured cables in rigid and flexible conduit

Certifications and compliances:

Certificat ATEX no: INERIS12ATEX0032X

Zones 1 and 2, Groupes IIA, IIB and IIC
 Zones 21 and 22 Groupes IIIA, IIIB and IIIC
 Ex II 2 GD / Ex db IIC / Ex eb IIC / Ex tb IIIC

Certificat IECEx no: IECEx INE 12.0025X

Zones 1 and 2, Groupes IIA, IIB and IIC
IECEx Zones 21 and 22, Groupes IIIA, IIIB and IIIC
 Ex db IIC / Ex eb IIC / Ex nRc IIC / Ex tb IIIC

Other certificates:

- **NEPSI** GYJ18.1100X
- **KOSHA** 2015-BO-0249 to 0251
- **EAC** TC RU C-FR GM43.B.01003

Marine application:

- **ABS** 14-HS1274083-PDA
- **DNV** TAE000010X
- **BV** 40910/A0
- **LLoyds** 11/00072
- **DTS-01:1991**



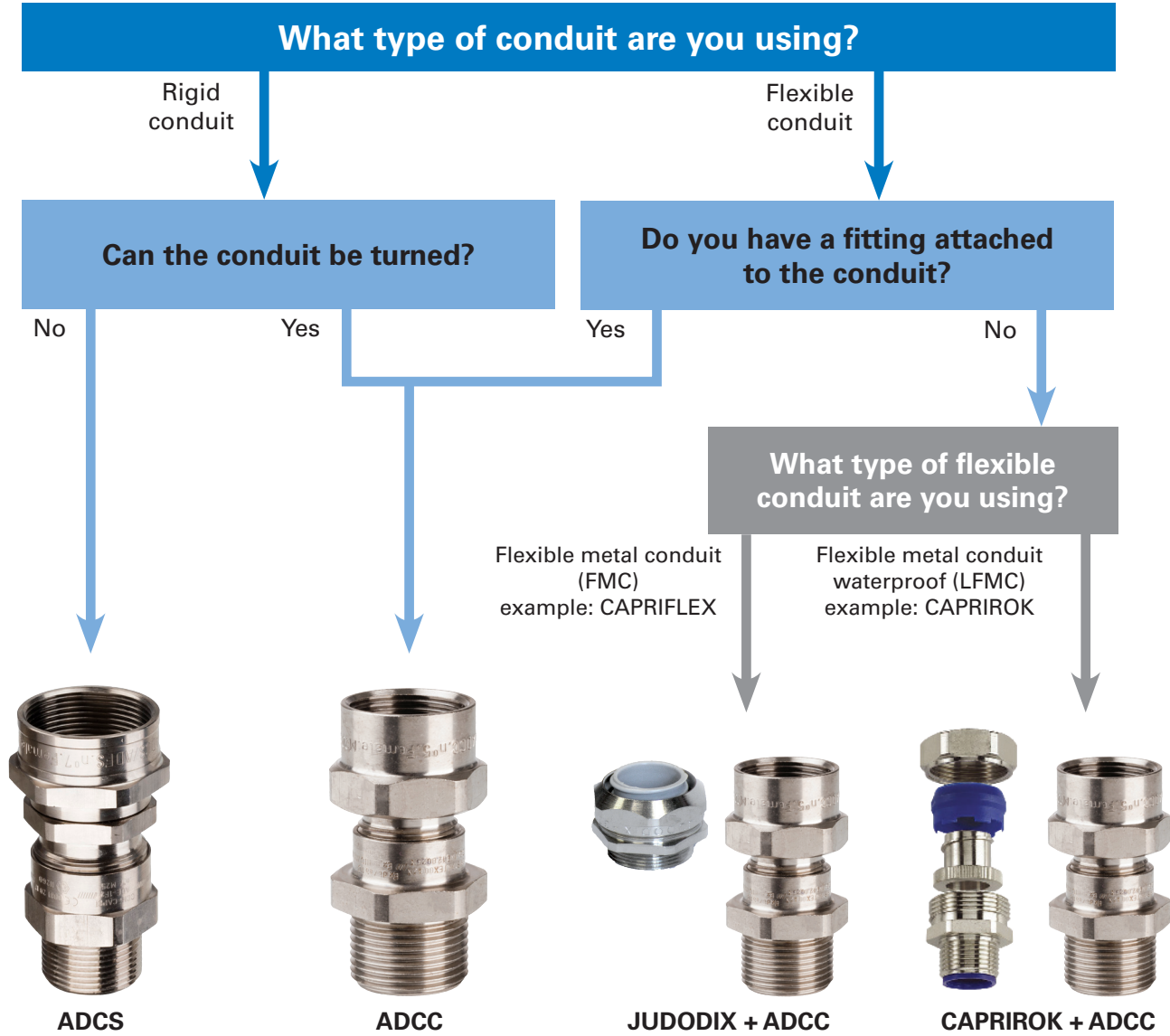
ADCS
For use with non-armoured cable in rigid conduit systems which cannot be turned

ADCS additional features and benefits:



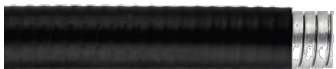
1. Specifically formulated flameproof elastomer for IP sealing on outer sheath of cable
2. Female thread for rigid conduit - multiple female thread options available
3. Swivel connection providing easy installation for rigid conduit

ADCC and ADCS conduit glands




Selection guide



Conduit types (Zone 1 & 2)

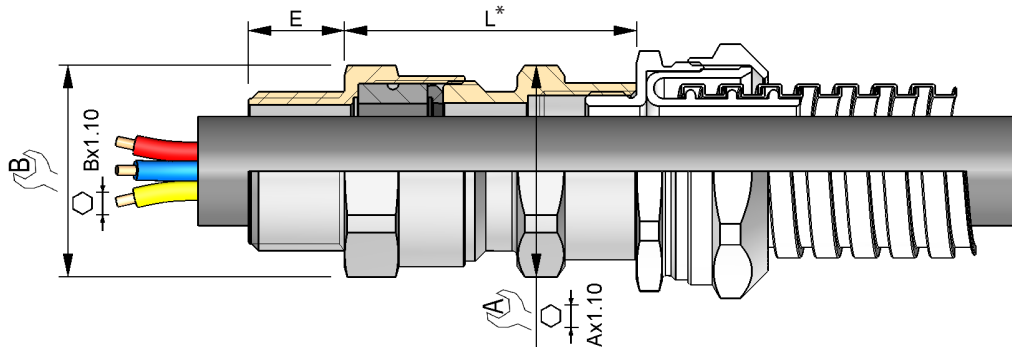
- Threaded Rigid Metal Conduit (RMC / IMC)**
(Steel tube with threaded ends)

- Flexible metal conduit (FMC)**
(Commonly used for cable protection)

- Waterproof Flexible Metal Conduit (LFMC)**
(Flexible metal conduit with a protective casing waterproof plastic)


Assembly examples

- ADCS**

- ADCC**

For use with a flexible duct connection (example: JUDODIX)*
- ADCC**

To be used with a waterproof connection (example: CAPRIROK)*

* For more information, consult your local sales representative.

ADCC conduit glands



† For 'across corners' dimensions, multiply 'across flats' dimensions by 1.1

SERIES	THREAD SIZE MALE	CABLE SEALING RANGE	THREAD SIZE FEMALE	MATERIAL	OPTION
ADCC	M25	3	M25	NPN	

SELECT → **K1** | Accessories kit 1
BLANK | No option

SELECT → **NPN** | Nickel-plated brass
SSN | Stainless steel

SELECT → 0 = XS
 1 = S
 2 = M
 3 = L

SELECT → ADCC = rigid connection

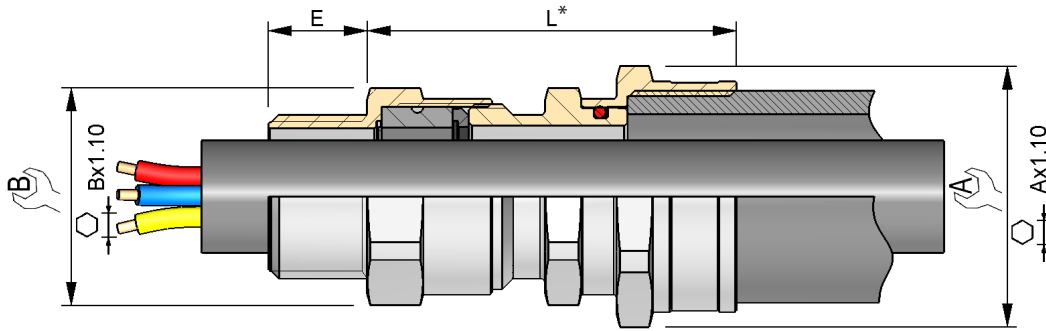
KIT OPTIONS
 K1 | Kit 1 contents:
 • Locknut
 • Green composite washer

Code example: **ADCCM253M25NPN**
 cable gland ADCC in nickel-plated brass, male M25 x female M25, sealing range n°3

SERIES	MALE THREAD SIZE (ISO)		MALE THREAD SIZE (NPT)		CABLE SEALING RANGE	CABLE SEALING RANGE ISO (NPT) OUTER SHEATH MIN - MAX	FEMALE THREAD SIZE			DIMENSIONS		ADE GLAND SIZE
	THREAD SIZE	THREAD SIZE CODE	THREAD SIZE	THREAD SIZE CODE			ISO	NPT	BSPP	A	B	
ADCC	20	M20	1/2"	N050	0	2.8 - 5.5	M20	N050	G050	24.0	24.0	3
ADCC	20	M20	1/2"	N050	1	4.5 - 8.5	M20	N050	G050	24.0	24.0	4
ADCC	20	M20	1/2"	N050	2	7.0 - 12.0	M20	N050	G050	24.0	24.0	5
ADCC	20	M20	1/2"	N050	3	10.0 - 16.0 (15.5)	M20	N050	G050	24.0	24.0	6
ADCC	20	M20	1/2"	N050	3	10.0 - 16.0 (15.5)	M25	N075	G075	30.0	24.0	6
ADCC	25	M25	3/4"	N075	2	10.0 - 16.0	M25	N075	G075	30.0	30.0	6
ADCC	25	M25	3/4"	N075	3	13.5 - 20.5	M25	N075	G075	30.0	30.0	7
ADCC	25	M25	3/4"	N075	3	13.5 - 20.5	M32	N100	G100	41.0	30.0	7
ADCC	32	M32	1"	N100	2	13.5 - 20.5	M32	N100	G100	41.0	41.0	7
ADCC	32	M32	1"	N100	3	18.0 - 27.5 (26.0)	M32	N100	G100	41.0	41.0	8
ADCC	32	M32	1"	N100	3	18.0 - 27.5 (26.0)	M40	N125	G125	48.0	41.0	8
ADCC	40	M40	1 1/4"	N125	2	18.0 - 27.5	M40	N125	G125	48.0	48.0	8
ADCC	40	M40	1 1/4"	N125	3	23.0 - 34.0	M40	N125	G125	48.0	48.0	9
ADCC	40	M40	1 1/4"	N125	3	23.0 - 34.0	M50	N150	G150	55.0	48.0	9
ADCC	50	M50	1 1/2"	N150	1	23.0 - 34.0	M50	N150	G150	55.0	55.0	9
ADCC	50	M50	1 1/2"	N150	2	29.0 - 41.0	M50	N150	G150	55.0	55.0	10
ADCC	50	M50	-	-	3	35.0 - 45.0	M50	N150	G150	64.0	55.0	11
ADCC	50	M50	-	-	3	35.0 - 45.0	M63	N200	G200	72.0 (64.0)	55.0	11
ADCC	63	M63	2"	N200	2	35.0 - 48.0	M63	N200	G200	72.0 (64.0)	72.0	11
ADCC	63	M63	2"	N200	3	42.0 - 56.0 (53.0)	M63	N200	G200	72.0	72.0	12
ADCC	63	M63	2"	N200	3	42.0 - 56.0 (53.0)	M75	N250	G250	85.0	72.0	12
ADCC	75	M75	2 1/2"	N250	2	42.0 - 56.0	M75	N250	G250	85.0	85.0	12
ADCC	75	M75	2 1/2"	N250	3	50.0 - 65.0 (62.5)	M75	N250	G250	85.0	85.0	13
ADCC	75	M75	2 1/2"	N250	3	50.0 - 65.0 (62.5)	M90	N300	G300	95.0	95.0	13
ADCC	90	M90	3"	N300	2	58.0 - 74.0	M90	N300	G300	95.0	95.0	14
ADCC	90	M90	3"	N300	3	66.0 - 83.0 (78.0)	M90	N300	G300	110.0	110.0	15
ADCC	-	-	3 1/2"	N350	2	66.0 - 78.0	M90	N350	G350	110.0	110.0	15
ADCC	-	-	3 1/2"	N350	3	75.0 - 92.0	M110	N350	G350	120.0	120.0	16
ADCC	110	M110	-	-	2	75.0 - 93.0	M110	N350	G350	120.0	120.0	16
ADCC	110	M110	4"	N400	3	85.0 - 104.0	M110	N400	G400	135.0	135.0	17

All dimensions in mm.
 *For dimension "L" please reference the global catalog.

ADCS conduit glands



† For 'across corners' dimensions, multiply 'across flats' dimensions by 1.1

SERIES	THREAD SIZE MALE	CABLE SEALING RANGE	THREAD SIZE FEMALE	MATERIAL	OPTION
ADCS	M25	3	M25	NPN	

SELECT →

CODES	
K1	Accessories kit 1
BLANK	No option

SELECT →

KIT OPTIONS	
K1	Kit 1 contents:
	• Locknut
	• Green composite washer

SELECT →

NPN	Nickel-plated brass
SSN	Stainless steel

SELECT →

0 = XS
1 = S
2 = M
3 = L

SELECT →

ADCS = swivel connection

Code example: **ADCSM253M25NPN**
 cable gland ADCS in nickel-plated brass, male M25 x female M25, sealing range n°3

SERIES	MALE THREAD SIZE (ISO)		MALE THREAD SIZE (NPT)		CABLE SEALING RANGE	CABLE SEALING RANGE ISO (NPT)		FEMALE THREAD SIZE			DIMENSIONS ISO (NPT)		ADE GLAND SIZE
	THREAD SIZE	THREAD SIZE CODE	THREAD SIZE	THREAD SIZE CODE		MIN - MAX	ISO	NPT	BSPP	A	B		
ADCS	20	M20	1/2"	N050	0	2.8 - 5.5	M20	N050	G050	24.0 (27.0)	24.0	3	
ADCS	20	M20	1/2"	N050	1	4.5 - 8.5	M20	N050	G050	24.0 (27.0)	24.0	4	
ADCS	20	M20	1/2"	N050	2	7.0 - 12.0	M20	N050	G050	24.0 (27.0)	24.0	5	
ADCS	20	M20	1/2"	N050	3	10.0 - 16.0 (15.5)	M20	N050	G050	24.0 (27.0)	24.0	6	
ADCS	20	M20	1/2"	N050	3	10.0 - 16.0 (15.5)	M25	N075	G075	30.0	24.0	6	
ADCS	25	M25	3/4"	N075	2	10.0 - 16.0	M25	N075	G075	30.0	30.0	6	
ADCS	25	M25	3/4"	N075	3	13.5 - 20.5	M25	N075	G075	30.0	30.0	7	
ADCS	25	M25	3/4"	N075	3	13.5 - 20.5	M32	N100	G100	36.0 (41.0)	30.0	7	
ADCS	32	M32	1"	N100	2	13.5 - 20.5	M32	N100	G100	36.0 (41.0)	41.0	7	
ADCS	32	M32	1"	N100	3	18.0 - 27.5 (26.0)	M32	N100	G100	41.0	41.0	8	
ADCS	32	M32	1"	N100	3	18.0 - 27.5 (26.0)	M40	N125	G125	44.0 (48.0)	41.0	8	
ADCS	40	M40	1 1/4"	N125	2	18.0 - 27.5	M40	N125	G125	44.0 (48.0)	48.0	8	
ADCS	40	M40	1 1/4"	N125	3	23.0 - 34.0	M40	N125	G125	48.0	48.0	9	
ADCS	40	M40	1 1/4"	N125	3	23.0 - 34.0	M50	N150	G150	55.0	48.0	9	
ADCS	50	M50	1 1/2"	N150	1	23.0 - 34.0	M50	N150	G150	55.0	55.0	9	
ADCS	50	M50	1 1/2"	N150	2	29.0 - 41.0	M50	N150	G150	55.0	55.0	10	
ADCS	50	M50	-	-	3	35.0 - 45.0	M50	N150	G150	64.0	55.0	11	
ADCS	50	M50	-	-	3	35.0 - 45.0	M63	N200	G200	67.0	55.0	11	
ADCS	63	M63	2"	N200	2	35.0 - 48.0	M63	N200	G200	67.0	72.0	11	
ADCS	63	M63	2"	N200	3	42.0 - 56.0 (53.0)	M63	N200	G200	72.0	72.0	12	
ADCS	63	M63	2"	N200	3	42.0 - 56.0 (53.0)	M75	N250	G250	85.0	72.0	12	
ADCS	75	M75	2 1/2"	N250	2	42.0 - 56.0	M75	N250	G250	85.0	85.0	12	
ADCS	75	M75	2 1/2"	N250	3	50.0 - 65.0 (62.5)	M75	N250	G250	85.0	85.0	13	
ADCS	75	M75	2 1/2"	N250	3	50.0 - 65.0 (62.5)	M90	N300	G300	95.0	95.0	13	

ADCS sizes 13 and above are available upon request.
 *For dimension "L" please reference the global catalog.

**U.S. (Global Headquarters):
Eaton's Crouse-Hinds Division**

1201 Wolf Street
Syracuse, NY 13208

(866) 764-5454
FAX: (315) 477-5179

Orders Only:
ECHUSAOrders@eaton.com

CrouseCustomerCTR@eaton.com

For more information:

If further assistance is required, please contact an authorized Eaton Distributor, Sales Office, or Customer Service Department.

Canada

Toll Free: 800-265-0502
FAX: (800) 263-9504
FAX Orders only: (866) 653-0645

Mexico/Latin America/Caribbean

52-555-804-4000
FAX: 52-555-804-4020
ventascentromex@eaton.com

Europe (Germany)

49 (0) 6271 806-500
49 (0) 6271 806-476
info-ex@eaton.com

Eaton Middle East

9714-8066100
FAX: 9714-8894813
chmesales@eaton.com

Singapore

65-6825-1668
FAX: 65-6645-9811
chsi-sales@eaton.com

China

86-21-2899-3600
FAX: 86-21-2899-4055
echsales@eaton.com

Korea

82 2 6380 4032
82-2-6380-4070
ECHKsales@eaton.com

Australia

1300-332-866
FAX: 61-2-9693-5127
Crousehindsanz@eaton.com

India

91-124-4683888
FAX: 91-124-4683899
cchindia@eaton.com

Eaton's Crouse-Hinds
1201 Wolf Street
Syracuse, NY 13208
Crouse-Hinds.com

Eaton
1000 Eaton Boulevard
Cleveland, OH 44122
United States
Eaton.com

© 2019 Eaton Corporation
All Rights Reserved
Printed in USA
Publication No. 5414-0519
May 2019

Eaton is a registered trademark.
All other trademarks are property of their respective owners.